

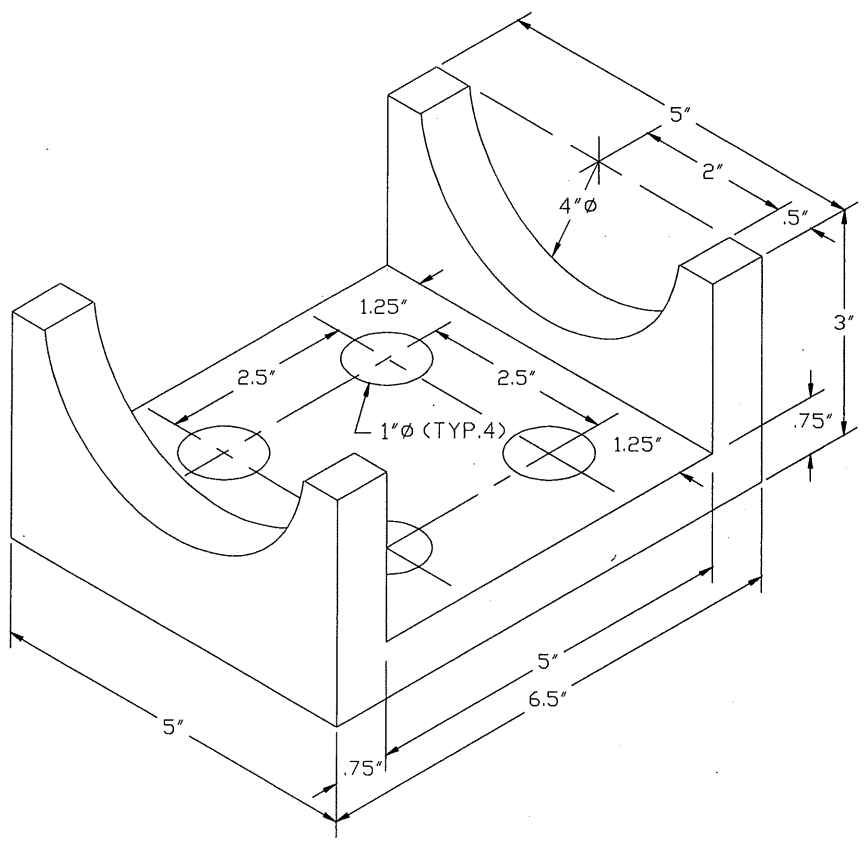


# 3D Design and Rendering

## DRAWING EXERCISES 17-1 THROUGH 17-5

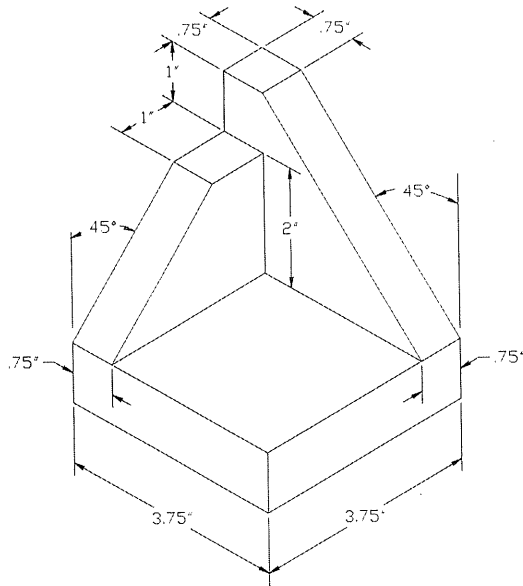
Lay out the objects shown in 3D form. Create the design to the given dimensions.

### Exercise 17-1

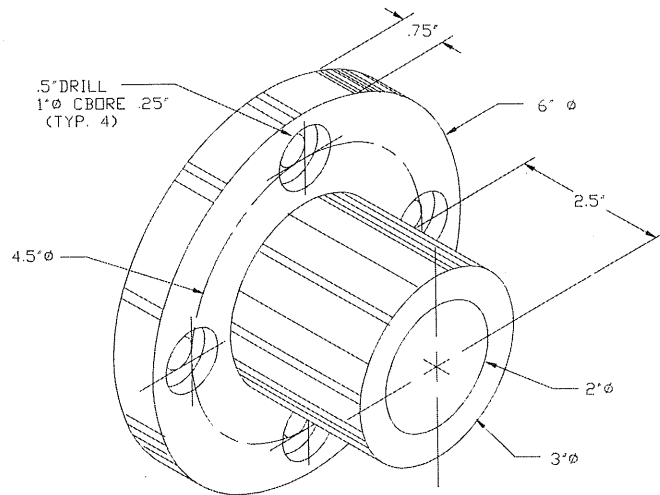




**Exercise 17-2**



**Exercise 17-3**



**Exercise 17-4**

