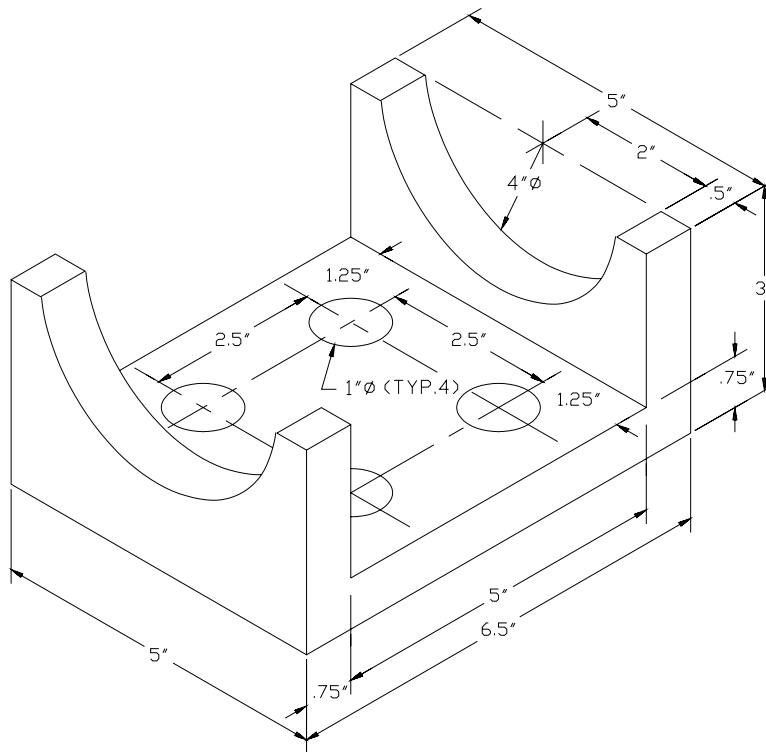


3D Design and Rendering

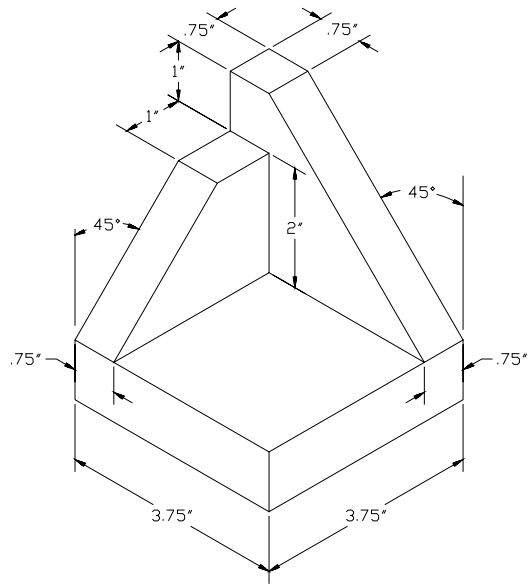
DRAWING EXERCISES 17-1 THROUGH 17-5

Lay out the objects shown in 3D form. Create the design to the given dimensions.

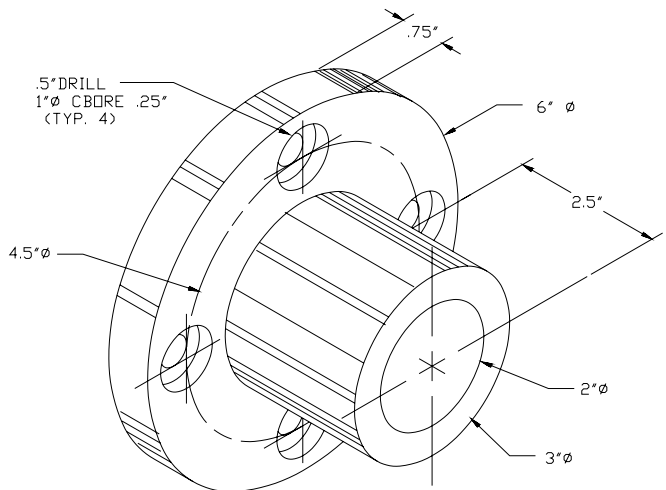
Exercise 17-1



Exercise 17-2



Exercise 17-3



Exercise 17-4

